

APRON FRONT

INSTALLATION

BOCCHI

INSTRUCTIONS

⚠ IMPORTANT!

- If you're installing your sink into a granite or marble worktop, you **MUST** have a professional fabricator cut the hole for you.
- Due to the natural variations in all ceramic sinks, these instructions should be treated as a guide only.
- The placement of your sink will depend on how its edges align with the cabinet sides, supports, and tap position.
- Make sure your existing plumbing fixtures are long enough to reach the new sink and its location.
- If you're unsure about installing your sink, we recommend consulting a qualified fitter. Bocchi cannot be held responsible for any errors in countertop preparation or installation.
- Please **DO NOT** over tighten any fittings as this may cause the surface of your ceramic sink to crack.

Preparation

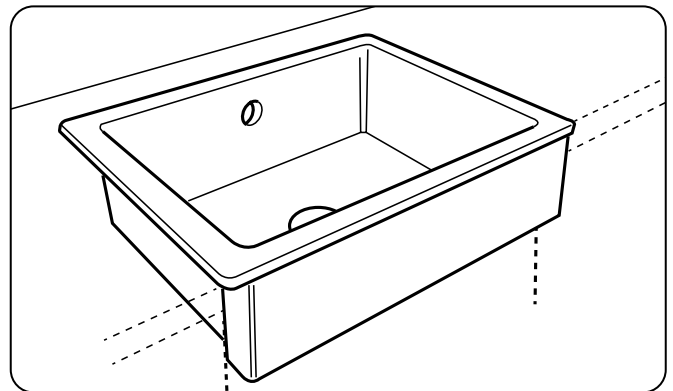
1. Before starting the installation, inspect the package for completeness, any defects, or transport damage. A faulty product installed will not be covered by the warranty.
2. Ensure the supporting carcass and worktop are level from left to right and front to back, to guarantee proper water drainage.
3. Check that the surrounding furniture is the correct size and shape to accommodate the product, and make sure no plumbing or wiring will interfere with the installation.
4. If replacing an existing sink, remove the old one and clean the surrounding area. Ensure the new sink will fit the existing cut-out size and position; otherwise, adjust the cut-out size as needed.
5. Before cutting the worktop, carefully plan where the sink will go. Ensure the positioning of the bowl, tap, and overflows won't interfere with nearby units or appliances, and check that the fixing clips won't obstruct carcass walls or supporting braces.
6. Mark the cut-out carefully using the actual sink. Cut the worktop using a router or CNC cutter, following the manufacturer's instructions. Be cautious not to chip, crack, or scratch the worktop. If preparing the cut-out on site, cover any exposed pipework to prevent debris from contaminating the water supply.

Parts and Contents

1. Ceramic sink
2. Waste kit
3. Plumbing kit
4. Installation instructions

You will need:

Electric saw with jigsaw fitment or a router. Translucent silicone sealant.



INSTRUCTIONS

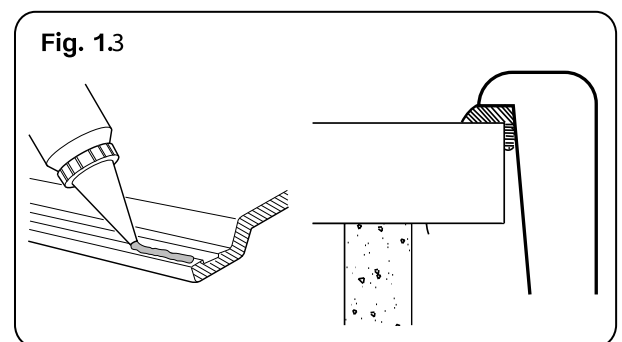
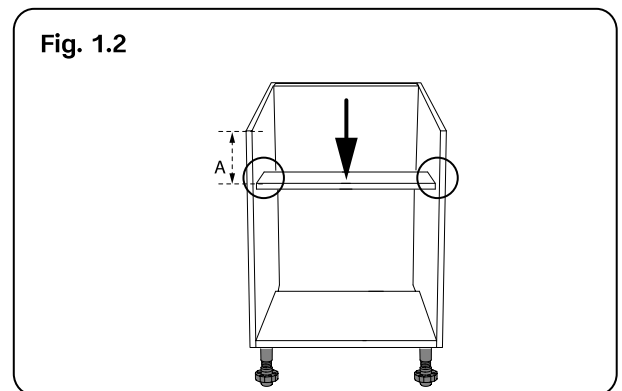
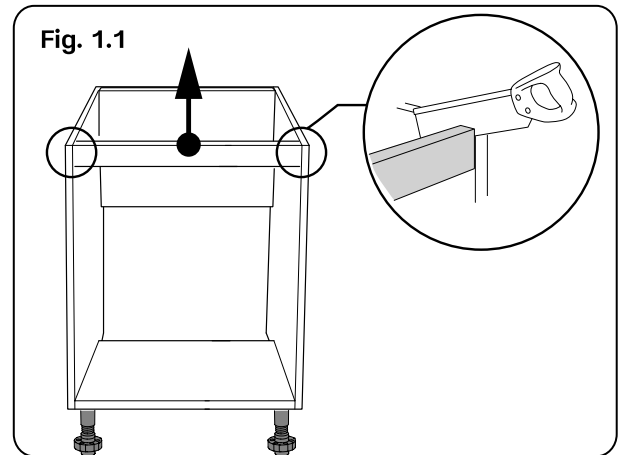
INSTALLATION

IMPORTANT: Due to the greater dimensional tolerances of ceramic products, we strongly advise cutting a test piece from scrap material first, then checking it against the actual sink to be fitted. Adjust the cut-out size to accommodate the sink's tolerances, and re-test it against the intended product before proceeding with the final worktop cut. The 'nominal' suggested cut-out size will align the cut-out edge with the radius of the bowl edge.

Please **AVOID** over-tightening any fittings, as this could cause the surface of your ceramic sink to crack.

1. The single bowl sink is designed to fit into a 600mm base unit, and the double bowl sink fits into an 800mm base unit. When installing, carefully remove the cabinet rail from the carcass (Fig. 1.1).
2. Reattach the cabinet rail to the base unit, positioning it below the sink once installed. This is to maintain the unit's rigidity, not for the sink to rest on. Keep in mind the thickness of your worktop, as this will determine the new rail position on the cabinet carcass. Set the rail inwards to allow space for a front fascia to be fitted, with the position depending on the thickness of the fascia (Fig. 1.2).
3. Cut a test piece from scrap material using a cut-out template or by measuring the sink size yourself. Check it against the sink to ensure it fits, then adjust the cut-out as needed to accommodate the sink's tolerances before making the final cut in the worktop.
4. Install the tap according to the manufacturer's instructions. Make sure it is secure, as later access may be blocked by the sink or plumbing.
5. Install the basket strainer waste kit and overflow.
6. Clean the perimeter of the worktop cut-out and the underside perimeter of the sink with a degreasing cleaner and allow them to dry.
7. Apply a continuous, generous bead of high-quality silicone around the upper perimeter of the sink rim (Fig. 1.3).
8. Carefully place the sink onto the worktop, ensuring the sink rim aligns with the cut-out shape.
9. Where possible, apply a second and third bead of silicone around the inside and outside of the sink and worktop. Clean up any excess silicone with a silicone cleaner. Allow the silicone to dry.
10. Connect the sink pipework to the waste kit.
11. When fitting the cabinet door, you will need a fascia rail to fill the gap between the sink and door. The final dimension will depend on the worktop used. Secure the fascia with brackets and screws.

Please note, we do not provide a cut-out template for either the single or double bowl sinks.



INSTRUCTIONS

After installation

1. Clean the sink following the care instructions provided, preparing it for use.
2. Ensure the sink is flat against the worktop, straight, and level. Pour a small amount of water onto the drainer (if applicable) to check that it drains properly.
3. Close the plug in the bowl, fill the sink with water below the overflow, and check that no water leaks through or around the waste.
4. Close the plug in the bowl and fill the sink above the overflow. Check that the water exits through the overflow and that there are no leaks from the overflow system.
5. Open the plug and allow the water to drain from the bowl, ensuring that the connecting pipework does not leak.
6. If the sink will not be used for a period after installation, cover the sink and tap to protect them from accidental damage during any further surrounding installation work.
7. We recommend checking the silicone seal for water tightness once fully set, and periodically rechecking it thereafter.

Care and Cleaning

To keep this product looking its best, clean it regularly with a clean, soft damp cloth. If necessary, use a solution of warm water and a mild, non-antibacterial liquid detergent. Rinse the product thoroughly and wipe it dry. Any other cleaning methods will void your warranty.

Avoid contact with household or industrial chemicals, as they may cause damage.

To prevent staining or discolouration, always rinse the sink with water after use. If you live in a hard water area, we recommend wiping the sink dry to avoid watermarks.

DO NOT cut, chop, or slice directly onto the sink surface, as this may damage the finish. Avoid using plastic washing-up bowls, as grit on the underside can mark the surface. Take care not to impact the sink with sharp or heavy objects, such as knives, pans, or cooking pots, and avoid contact with abrasives. Never place hot objects directly onto the sink surface, and avoid exposing the sink to extreme temperature changes.